

# Production Worksheet

Wilcom EmbroideryStudio - Designing



Design: **3**

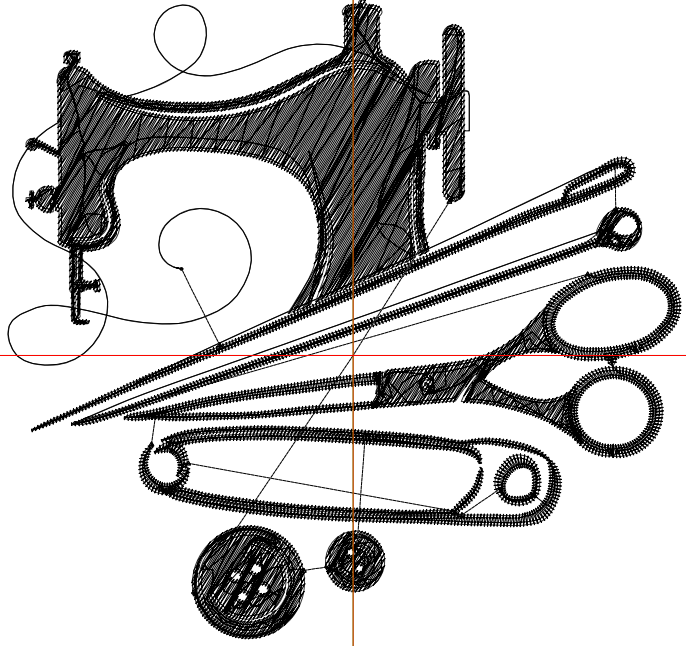
Title:

Stitches: 9,151  
 Height: 3.34 in  
 Width: 3.51 in  
 Colors: 1  
 Colorway: Colorway 1  
 Zoom: 1:1

Machine format: Tajima  
 Color changes: 0  
 Stops: 1  
 Trims: 10  
 Appliqués: 0  
 Left: 45.7 mm  
 Right: 43.4 mm  
 Up: 47.2 mm  
 Down: 37.5 mm  
 EndX: 0.00 in  
 EndY: 0.00 in  
 Area: 11.69 in<sup>2</sup>  
 Max stitch: 6.8 mm  
 Min stitch: 0.1 mm  
 Max jump: 6.8 mm  
 Total thread: 129.97ft  
 Total bobbin: 41.24ft

Stop Sequence:

#	N#	Color	St.	Code	Name	Chart
1.	8	█	9,149	8	Black	Default



# Production Worksheet

Wilcom EmbroideryStudio - Designing



Design: **4**

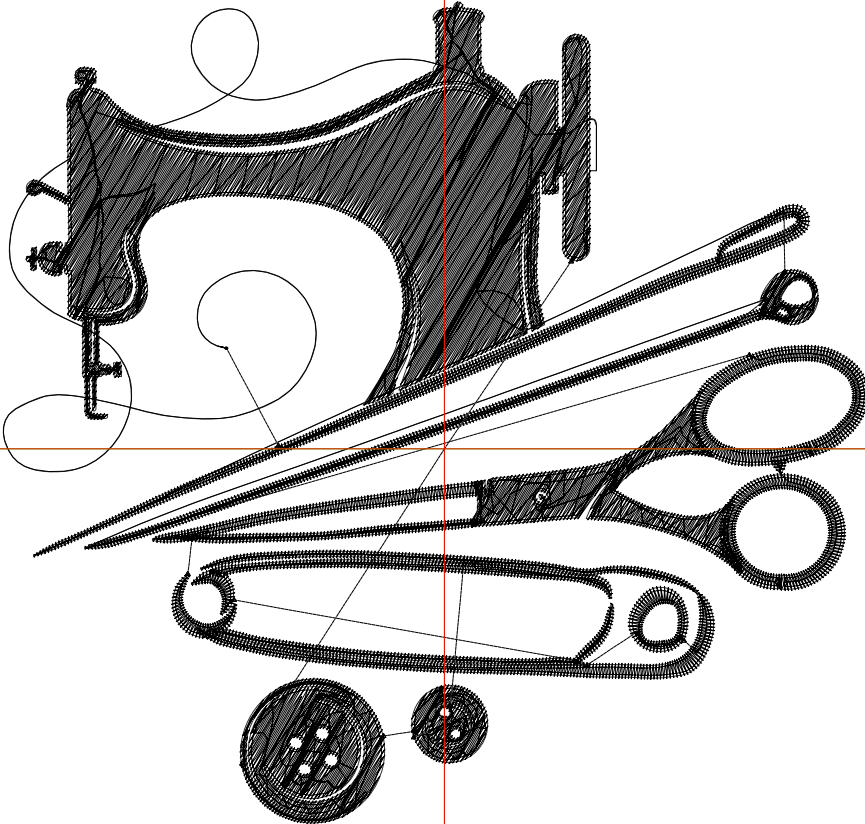
Title:

Stitches: 12,165  
 Height: 4.28 in  
 Width: 4.51 in  
 Colors: 1  
 Colorway: Colorway 1  
 Zoom: 1:1

Machine format: Tajima  
 Color changes: 0  
 Stops: 1  
 Trims: 12  
 Appliqués: 0  
 Left: 58.3 mm  
 Right: 56.1 mm  
 Up: 59.1 mm  
 Down: 49.6 mm  
 EndX: 0.00 in  
 EndY: 0.00 in  
 Area 19.29 in<sup>2</sup>  
 Max stitch: 7.0 mm  
 Min stitch: 0.1 mm  
 Max jump: 7.0 mm  
 Total thread: 185.22ft  
 Total bobbin: 62.26ft

Stop Sequence:

#	N#	Color	St.	Code	Name	Chart
1.	8	█	12,163	8	Black	Default



# Production Worksheet

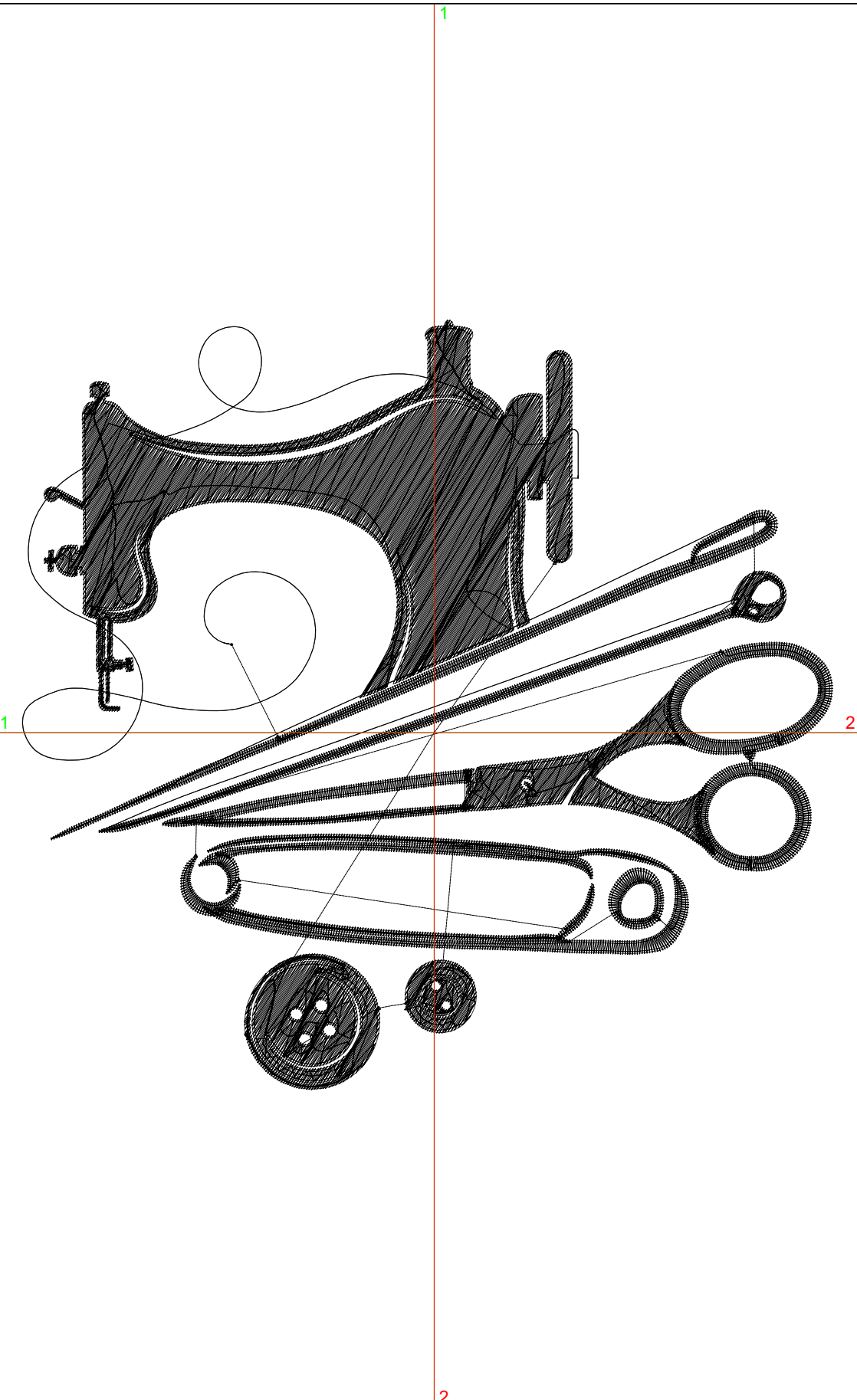
Wilcom EmbroideryStudio - Designing



Design: **5**

Title:

Stitches: 15,423  
 Height: 5.23 in  
 Width: 5.51 in  
 Colors: 1  
 Colorway: Colorway 1  
 Zoom: 1:1



Machine format: Tajima  
 Color changes: 0  
 Stops: 1  
 Trims: 12  
 Appliqués: 0  
 Left: 71.0 mm  
 Right: 68.8 mm  
 Up: 71.2 mm  
 Down: 61.7 mm  
 EndX: 0.00 in  
 EndY: 0.00 in  
 Area: 28.81 in<sup>2</sup>  
 Max stitch: 6.7 mm  
 Min stitch: 0.0 mm  
 Max jump: 6.7 mm  
 Total thread: 249.69ft  
 Total bobbin: 87.80ft

Stop Sequence:

#	N#	Color	St.	Code	Name	Chart
1.	8	█	15,421	8	Black	Default

# Production Worksheet

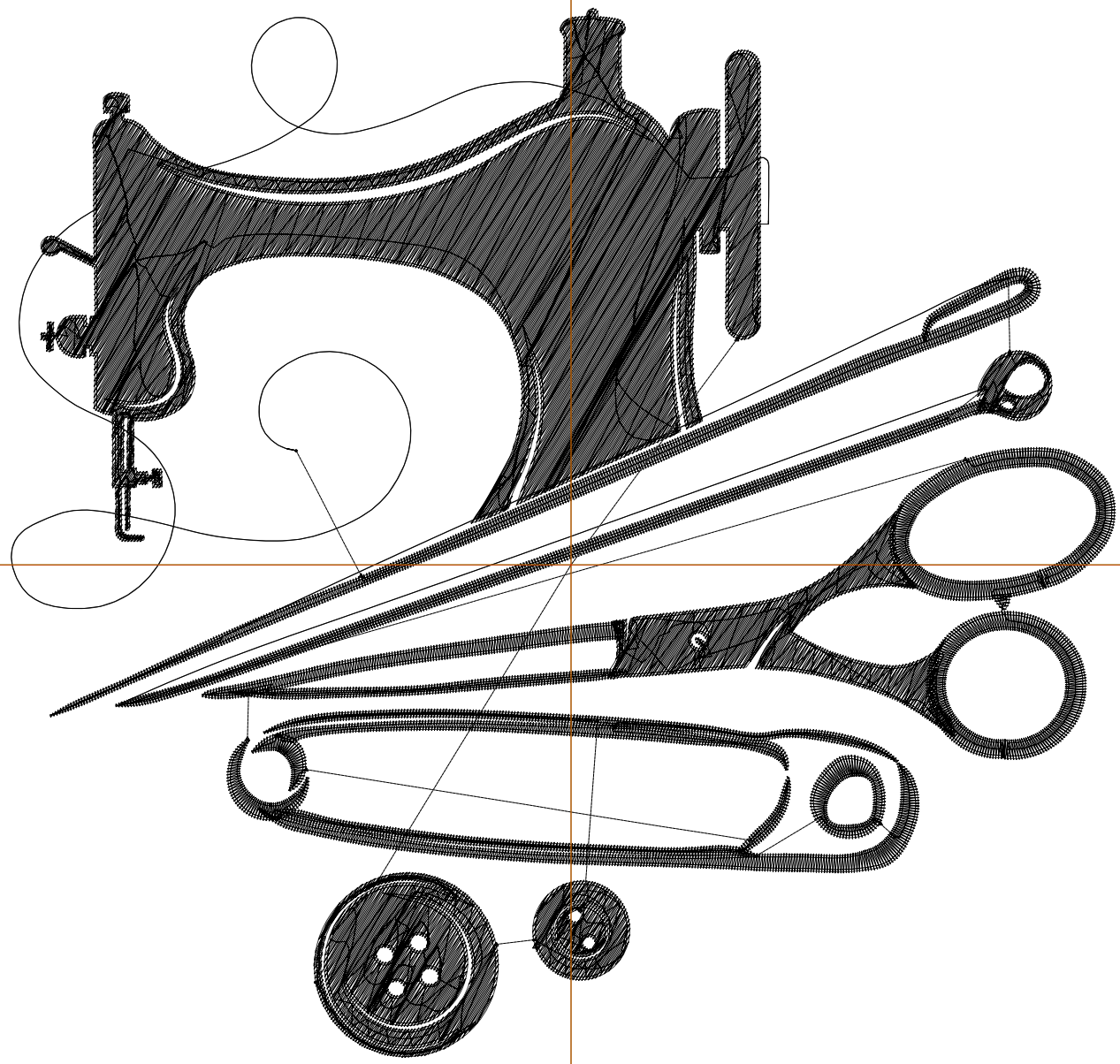
Wilcom EmbroideryStudio - Designing



Design: **6**

Title:

Stitches: 19,013  
Height: 6.19 in  
Width: 6.51 in  
Colors: 1  
Colorway: Colorway 1  
Zoom: 1:1



# Production Worksheet

Wilcom EmbroideryStudio - Designing



Design: **6**

Title:

Stitches: 19,013  
 Height: 6.19 in  
 Width: 6.51 in  
 Colors: 1  
 Colorway: Colorway 1  
 Zoom: 1:1

Machine format: Tajima  
 Color changes: 0  
 Stops: 1  
 Trims: 12  
 Appliqués: 0  
 Left: 83.8 mm  
 Right: 81.5 mm  
 Up: 83.4 mm  
 Down: 73.7 mm  
 EndX: 0.00 in  
 EndY: 0.00 in  
 Area 40.24 in<sup>2</sup>  
 Max stitch: 6.9 mm  
 Min stitch: 0.1 mm  
 Max jump: 6.9 mm  
 Total thread: 323.72ft  
 Total bobbin: 117.71ft

Stop Sequence:

#	N#	Color	St.	Code	Name	Chart
1.	8	█	19,011	8	Black	Default

# Production Worksheet

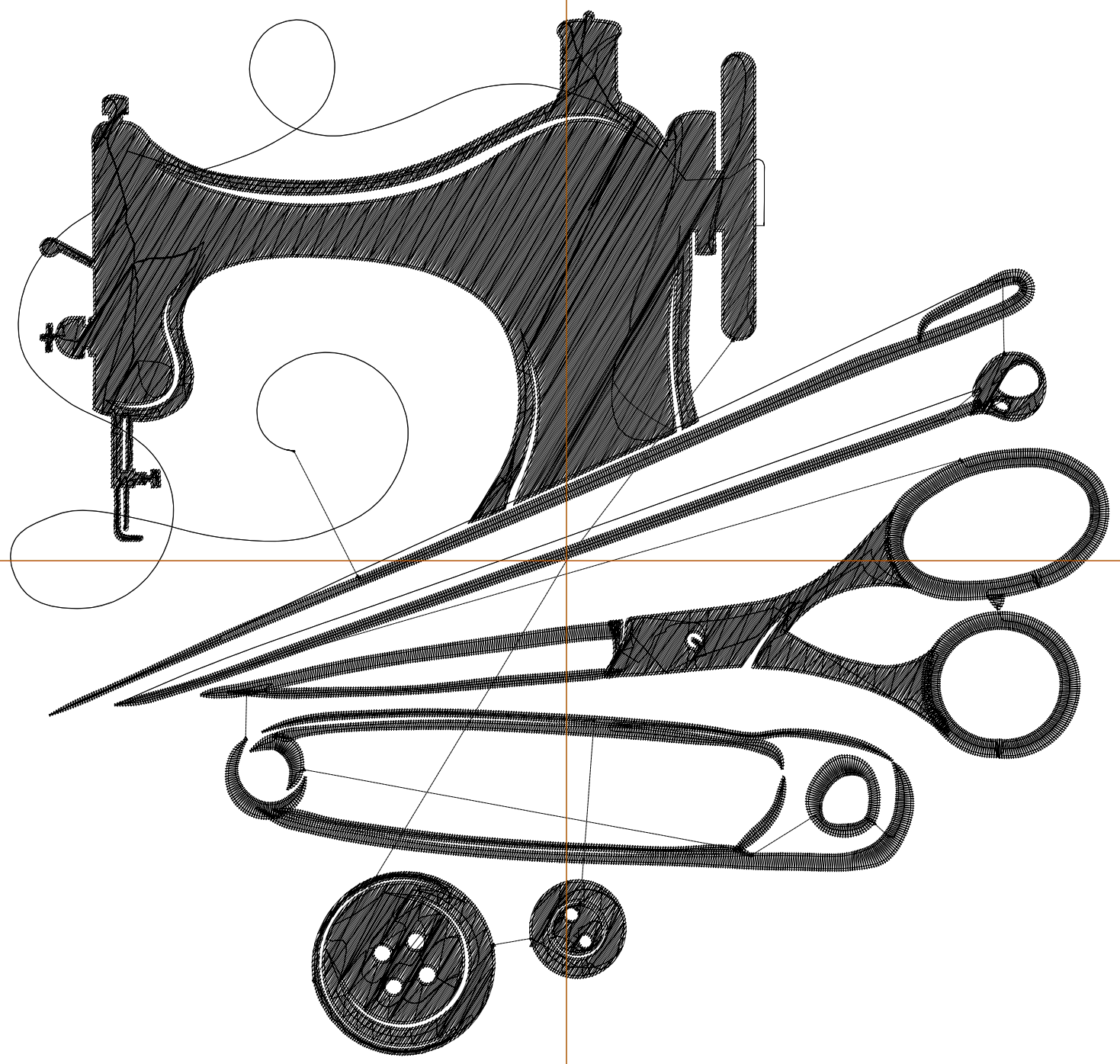
Wilcom EmbroideryStudio - Designing



Design: **7**

Title:

Stitches: 22,924  
Height: 7.14 in  
Width: 7.51 in  
Colors: 1  
Colorway: Colorway 1  
Zoom: 1:1



# Production Worksheet

Wilcom EmbroideryStudio - Designing



Design: **7**

Title:

Stitches: 22,924  
 Height: 7.14 in  
 Width: 7.51 in  
 Colors: 1  
 Colorway: Colorway 1  
 Zoom: 1:1

Machine format: Tajima  
 Color changes: 0  
 Stops: 1  
 Trims: 12  
 Appliqués: 0  
 Left: 96.5 mm  
 Right: 94.2 mm  
 Up: 95.4 mm  
 Down: 85.8 mm  
 EndX: 0.00 in  
 EndY: 0.00 in  
 Area 53.56 in<sup>2</sup>  
 Max stitch: 6.9 mm  
 Min stitch: 0.3 mm  
 Max jump: 6.9 mm  
 Total thread: 407.47ft  
 Total bobbin: 152.13ft

Stop Sequence:

#	N#	Color	St.	Code	Name	Chart
1.	8	█	22,922	8	Black	Default