

Production Worksheet

Wilcom EmbroideryStudio - Designing



Design: **3**

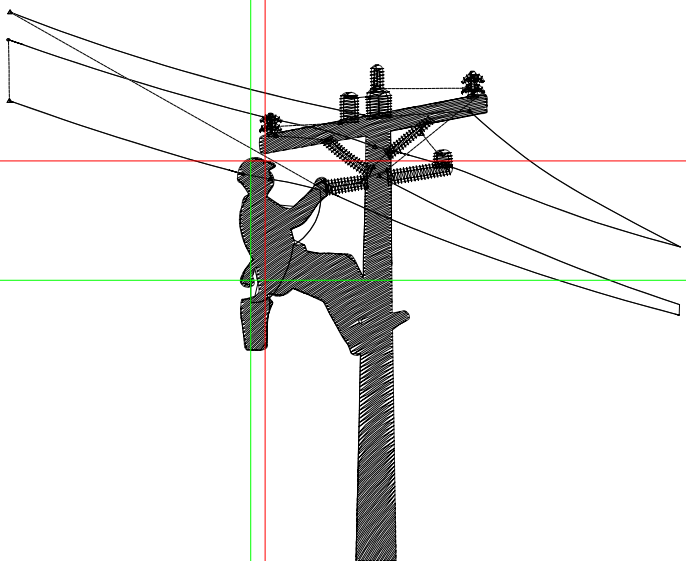
Title:

Stitches: 2,552
 Height: 2.86 in
 Width: 3.50 in
 Colors: 1
 Colorway: Colorway 1
 Zoom: 1:1

Machine format: Tajima
 Color changes: 0
 Stops: 1
 Trims: 12
 Appliqués: 0
 Left: 32.0 mm
 Right: 56.9 mm
 Up: 35.5 mm
 Down: 37.2 mm
 EndX: 0.07 in
 EndY: 0.62 in
 Area 10.01 in²
 Max stitch: 7.0 mm
 Min stitch: 0.0 mm
 Max jump: 7.0 mm
 Total thread: 35.04ft
 Total bobbin: 10.65ft

Stop Sequence:

#	N#	Color	St.	Code	Name	Chart
1.	8	█	2,550	8	Black	Default



Production Worksheet

Wilcom EmbroideryStudio - Designing



Design: **4**

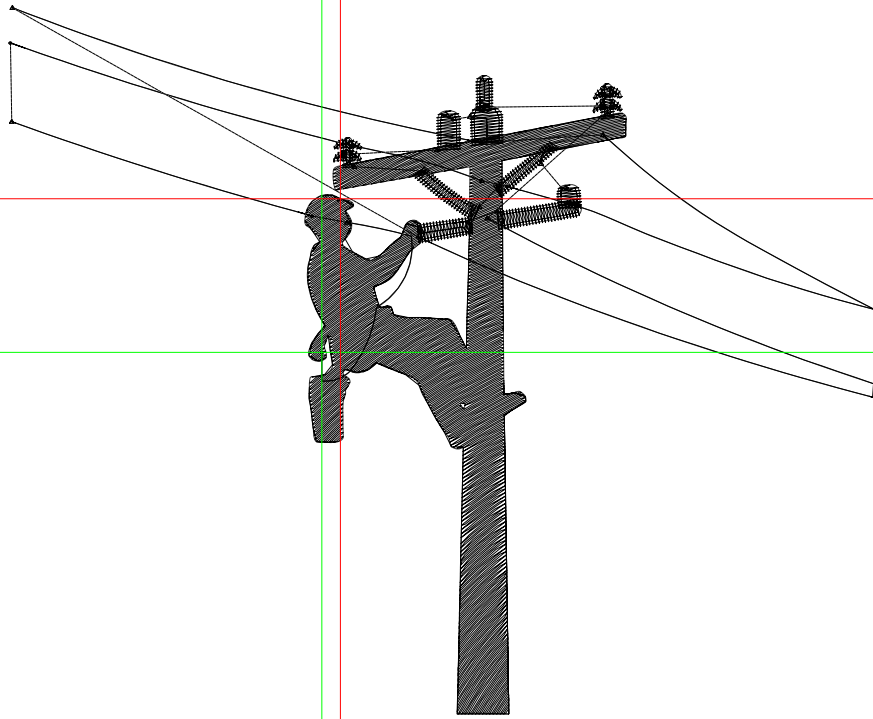
Title:

Stitches: 3,655
 Height: 3.68 in
 Width: 4.50 in
 Colors: 1
 Colorway: Colorway 1
 Zoom: 1:1

Machine format: Tajima
 Color changes: 0
 Stops: 1
 Trims: 13
 Appliqués: 0
 Left: 41.2 mm
 Right: 73.1 mm
 Up: 45.6 mm
 Down: 47.8 mm
 EndX: 0.10 in
 EndY: 0.80 in
 Area: 16.55 in²
 Max stitch: 6.7 mm
 Min stitch: 0.1 mm
 Max jump: 6.7 mm
 Total thread: 52.76ft
 Total bobbin: 16.86ft

Stop Sequence:

#	N#	Color	St.	Code	Name	Chart
1.	8	█	3,653	8	Black	Default



Production Worksheet

Wilcom EmbroideryStudio - Designing



Design: **5**

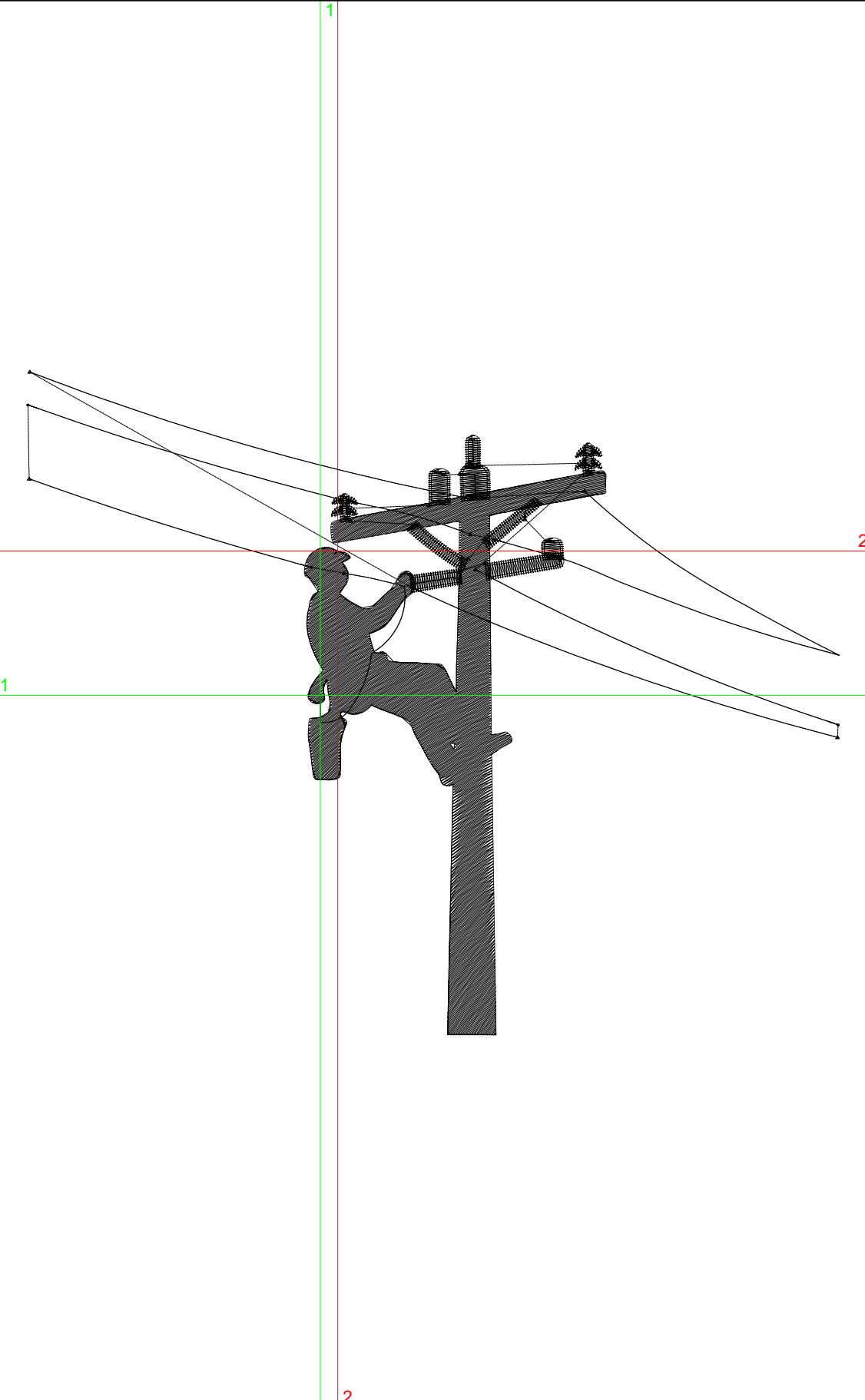
Title:

Stitches: 4,794
 Height: 4.50 in
 Width: 5.50 in
 Colors: 1
 Colorway: Colorway 1
 Zoom: 1:1

Machine format: Tajima
 Color changes: 0
 Stops: 1
 Trims: 14
 Appliqués: 0
 Left: 50.3 mm
 Right: 89.4 mm
 Up: 55.7 mm
 Down: 58.5 mm
 EndX: 0.12 in
 EndY: 0.98 in
 Area: 24.73 in²
 Max stitch: 6.6 mm
 Min stitch: 0.0 mm
 Max jump: 6.6 mm
 Total thread: 72.38ft
 Total bobbin: 24.06ft

Stop Sequence:

#	N#	Color	St.	Code	Name	Chart
1.	8	█	4,792	8	Black	Default



Production Worksheet

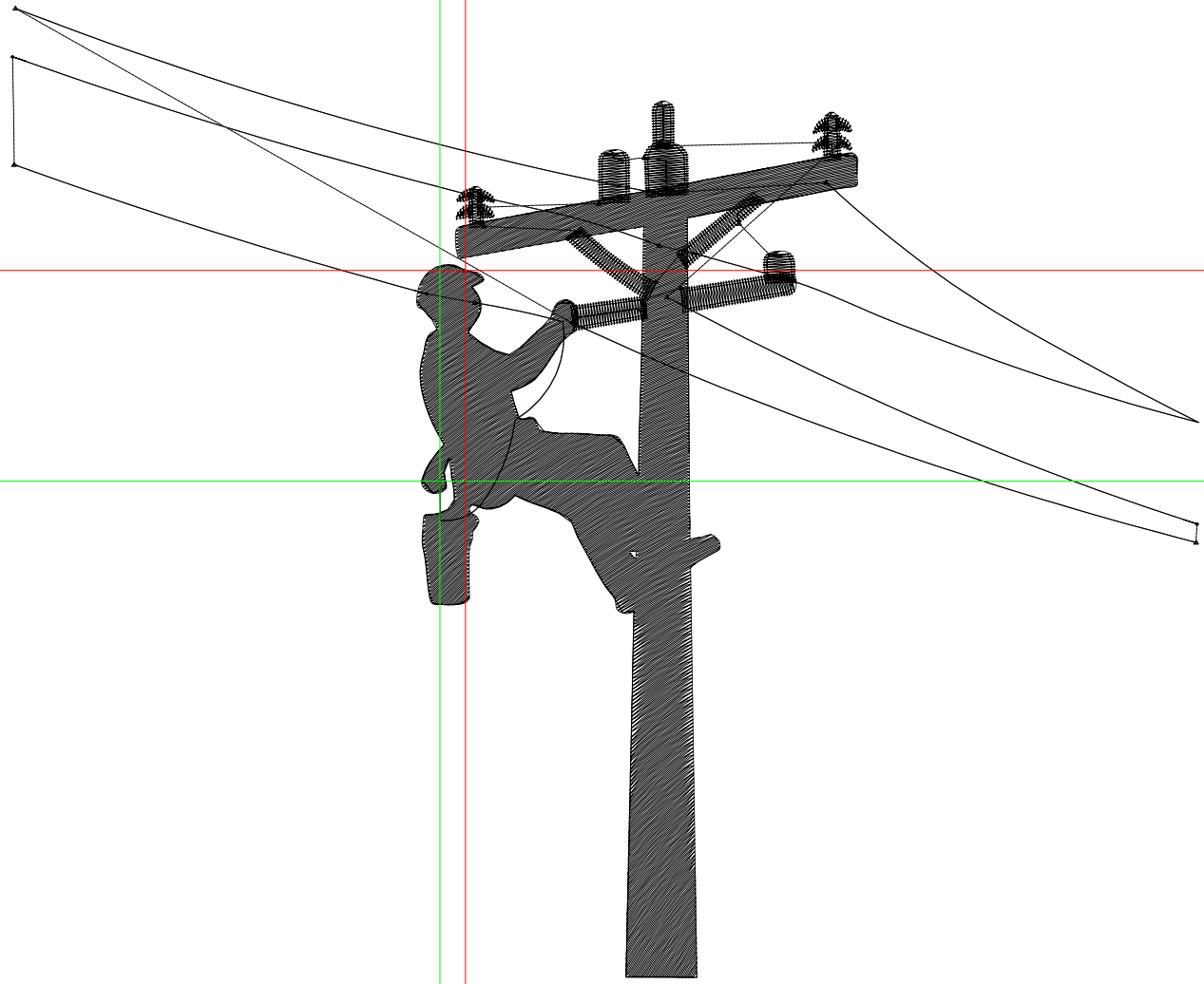
Wilcom EmbroideryStudio - Designing



Design: **6**

Title:

Stitches: 6,150
Height: 5.31 in
Width: 6.50 in
Colors: 1
Colorway: Colorway 1
Zoom: 1:1



Production Worksheet

Wilcom EmbroideryStudio - Designing



Design: **6**

Title:

Stitches: 6,150
 Height: 5.31 in
 Width: 6.50 in
 Colors: 1
 Colorway: Colorway 1
 Zoom: 1:1

Machine format: Tajima
 Color changes: 0
 Stops: 1
 Trims: 15
 Appliqués: 0
 Left: 59.5 mm
 Right: 105.6 mm
 Up: 65.8 mm
 Down: 69.1 mm
 EndX: 0.14 in
 EndY: 1.16 in
 Area 34.54 in²
 Max stitch: 6.5 mm
 Min stitch: 0.0 mm
 Max jump: 6.5 mm
 Total thread: 96.02ft
 Total bobbin: 32.79ft

Stop Sequence:

#	N#	Color	St.	Code	Name	Chart
1.	8	█	6,148	8	Black	Default

Production Worksheet

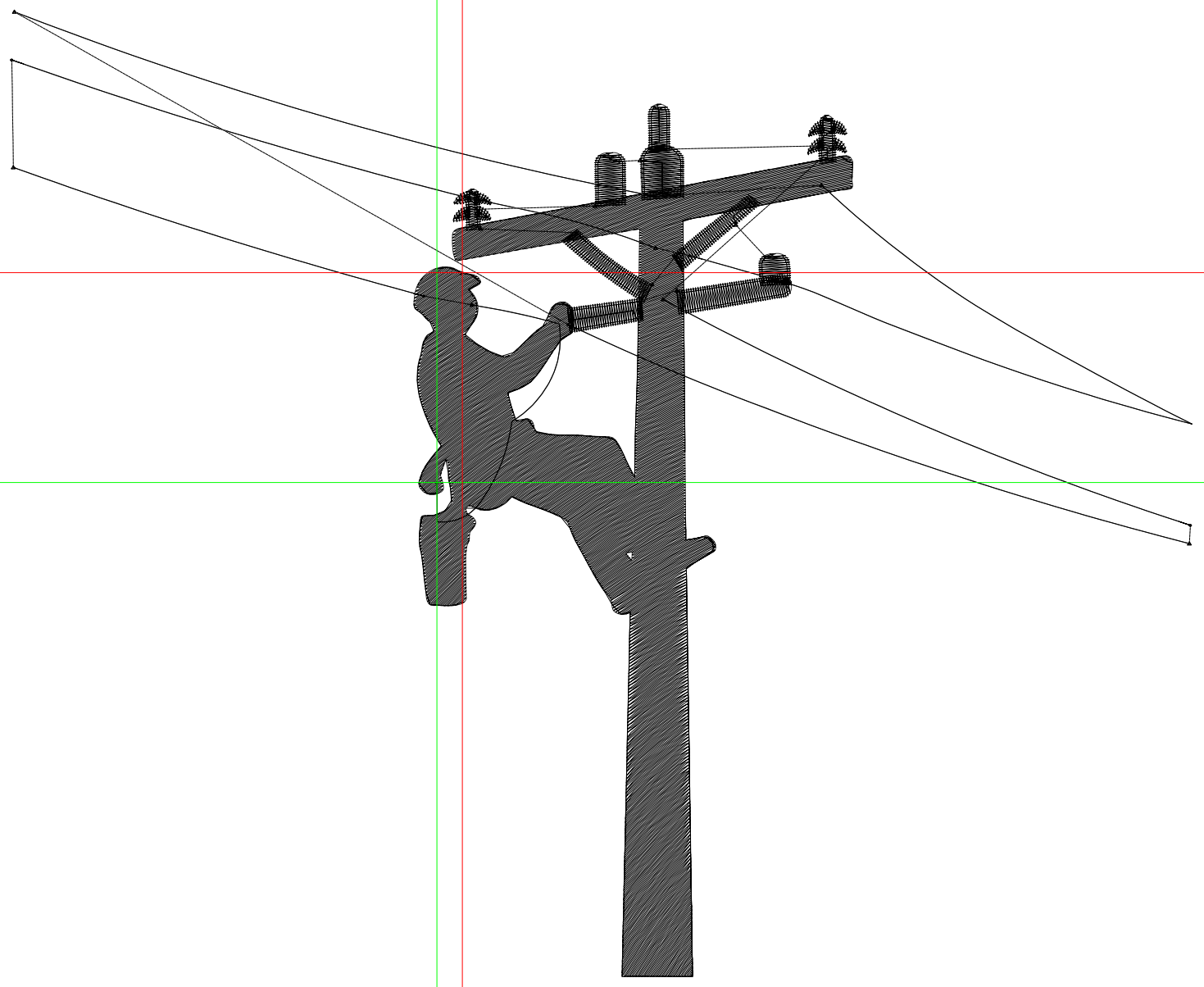
Wilcom EmbroideryStudio - Designing



Design: **7**

Title:

Stitches: 7,743
Height: 6.13 in
Width: 7.50 in
Colors: 1
Colorway: Colorway 1
Zoom: 1:1



Production Worksheet

Wilcom EmbroideryStudio - Designing



Design: **7**

Title:

Stitches: 7,743
 Height: 6.13 in
 Width: 7.50 in
 Colors: 1
 Colorway: Colorway 1
 Zoom: 1:1

Machine format: Tajima
 Color changes: 0
 Stops: 1
 Trims: 15
 Appliqués: 0
 Left: 68.6 mm
 Right: 121.9 mm
 Up: 76.0 mm
 Down: 79.8 mm
 EndX: 0.16 in
 EndY: 1.33 in
 Area 45.98 in²
 Max stitch: 7.1 mm
 Min stitch: 0.0 mm
 Max jump: 6.9 mm
 Total thread: 124.27ft
 Total bobbin: 43.34ft

Stop Sequence:

#	N#	Color	St.	Code	Name	Chart
1.	8	█	7,741	8	Black	Default